

KT-20-4-11G



Steel Light Pole – Square – 20 FT

SPECIFICATION

Dimension:	20 FT-4 INCH WIDTH-11 GAUGE
Guage:	11 G (3 mm)
Top Width:	3.94 Inch (100mm)
Butt Width:	3.94 Inch (100mm)
Base Width:	9.84 Inch (250mm)
Bolt Circle:	8.5 Inch (216 mm)
Bolt Projection:	3.5 Inch (76.2MM)
Base Thickness:	0.79 Inch(20 MM)
Anchor Bolt Size:	0.86X17X3 Inch(22X 431X76MM)
Bolt Circle Range:	7-11 Inch (175 – 275 MM)
Pole Weight:	165 lbs +/- 5% (75 KG +/- 5 %)

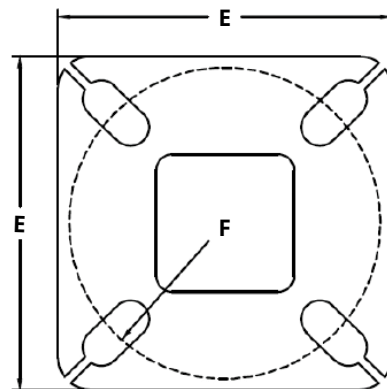
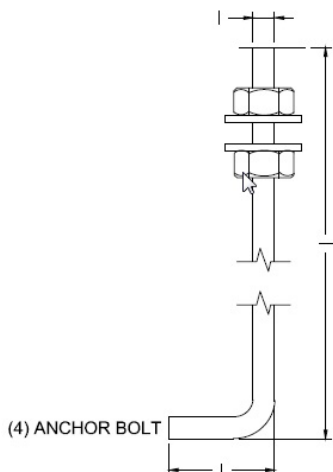
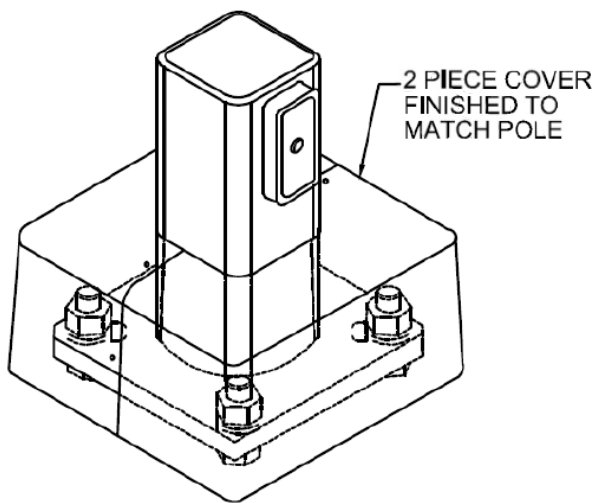
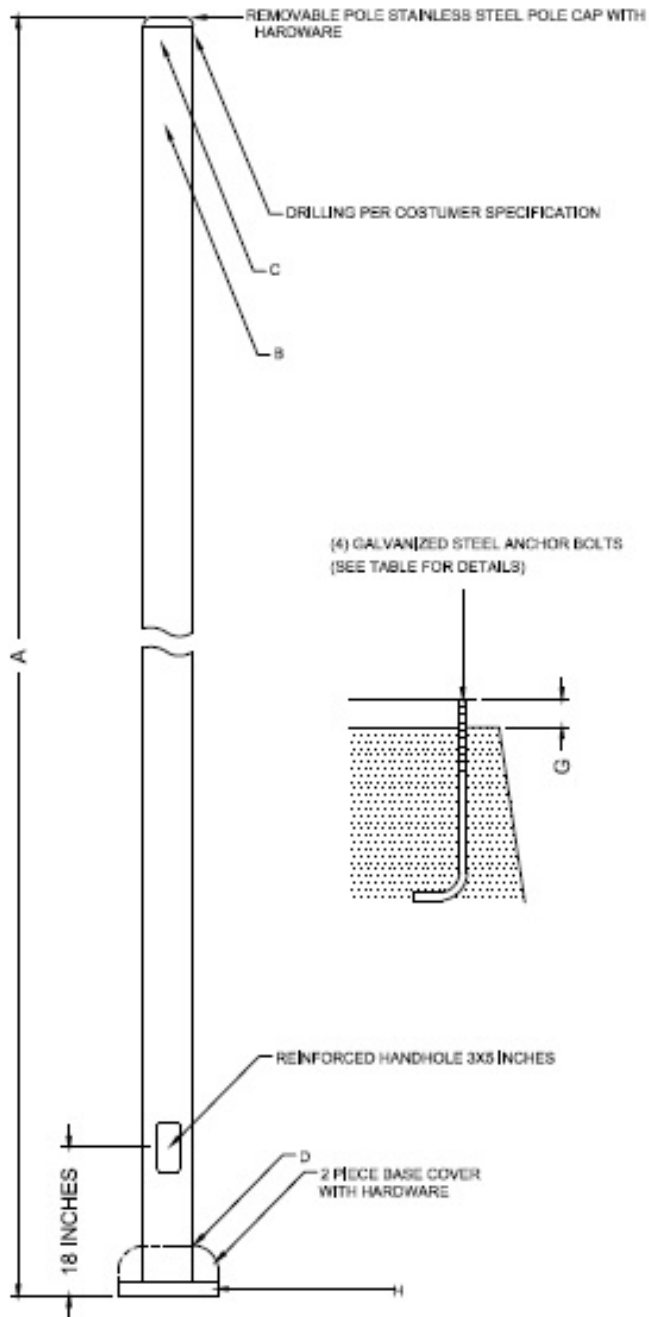
Product Description:

- Pole Top Options:
A removable Stainless steel cap is provided if the pole is drill. The drill pattern and drill orientation needs to be provided by the customer unless Energy Light fixtures are used for the project. If the tenon option is selected a welded steel tennon will be provided.
- Pole:
Commercial quality welded steel tubing of 1 piece construction with a minimum yield strength of above 60000 psi is used to fabricate the pole shaft.
- Handhole:
2.5*5 inches tall reinforced handhole with rubber gasket is provided at 18 inches from the base.
A cover with a screw hardware.
- Base Cover:
A 2 piece metal base cover is provided along with hardware to securely attach the 2 pieces together after pole installation.
- Anchor Bolts:
A set of 4 galvanized steel anchor bolts is provided with each pole assembly. Each bolt includes 2 nuts and 2 washers.
A portion of the anchor bolt is threaded for securing and leveling the pole with the provided nuts and washers.
An actual size paper anchor bolt template is included.
- Color and finish option:
Kalco Brown power coat with primer

KT-20-4-11G



SPECIFICATION OF 20 FEET POLE TABLE		
SPECIFICATION ON TABLE	A	20 FT (6100mm +/- 10 mm)
GAUGE	B	MORE THAN 11 G (3 mm)
TOP WIDTH	C	3.94 INCH (100mm)
BUTT WIDTH	D	3.94 INCH (100mm)
BASE WIDTH	E	9.84 INCH (250mm)
BOLT CIRCLE	F	8.5 INCH (216 mm)
BOLT PROJECTION	G	3.5INCH (76.2MM)
ANCHOR BOLT SIZE	H	0.86X17X3 INCH (22X 431X76 MM)
BOLT CIRCLE RANGE	I	7-11 INCH (175 - 275 MM)
POLE WEIGHT	-	165 lbs +/- 5% (75 KG +/- 5 %)
MAXIMUM EPA WITH 1.3 GUST FACTOR		
80 MPH : 9.65 SQUARE FEET		
90 MPH : 6.76 SQUARE FEET		
100 MPH : 4.74 SQUARE FEET		



BASE PLATE WITH SLOTS OR HOLES