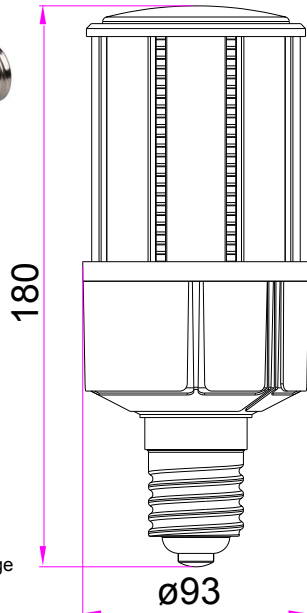


KL20CRN5K - A2



Advantages:

- UL, DLC certificate
- E26 lamp base
- 360 Degree lighting, high CRI
- IP64 Waterproof Rating
- Long, or short Plastic housing
- New style and high efficient wide-range input.
- Large heat sink, good heat dissipation
- Direct replacement for Metal Halide, Easy to install
- Fits different fixtures to replace traditional lamps.

Technical Characteristics

Color Temp:	4K, 4K5, 5K, 5K7	Housing	PC+AL
CRI	>80		
Lumen	2150-2300 LM		
Input Power	20W		
Viewing Angle	360°		
Input Voltage	100-277Vac 50/60HZ		
PFC	>0.9		
Light efficacy	108-115 LM/W		
Waterproof Rating	IP64		
Equivalent	40W CFL, 75W MHL/HPS/HID		

Application:

Replacement Lamps for Outdoor Pole/Arm-mounted Decorative Luminaires (Type B)

Housing Color: White

Technical Specifications

Listings

UL Listing:

UL code: E472587

DLC Listed

IP64: Suitable for wet locations



Others

Warranty time: 5 years

To prevent injury or damage to property, this product must be installed in accordance to National Electrical Code (NFPA70) in the US or Canadian Electrical Code (CSA 22.1) in Canada.

Risk of fire or electric shock. The electrical rating of these products are 100-277 Vac, the installer must determine whether they have 100-277 V at the luminaire before installation.

Risk of fire or electric shock. Installation requires knowledge of luminaires electrical systems. If not qualified, do not attempt installation. Contact a qualified electrician.

To prevent wiring damage or abrasion, do not expose wiring to edges of sheet metal or other sharp objects.

Disconnect power before installing the product or servicing it.

Wait until fixture has cooled down before installing or servicing the fixture.

Min. 90°C Supply Conductors

Warranty Period assumes that the Products are operated for less than 8 hours per day.

Operating conditions

Operating temperatures:

-20°C TO 45°C

Operating Humidity:

20%-90% RH

Storage Temperature

-30°C TO 80°C

Storage Humidity:

10%- 95% RH

Application:

Outdoor/Indoor

KL20CRN5K - A2

Order Information

KL - Watt - CRN - B1E - Color Temp

KL — 20 — CRN — B1E —

- 4K
- 4K5
- 5K
- 5K7

KL - 20 - CRN - B1E -

Package

	Size	Qty/ Carton	Net Weight/ Carton	Gross Weight/ Carton
Inner box	290x120x120 MM	1 PC	0.43 KG	0.57 KG
Outer box	495x380x310 MM	24 PCS	10.3 KG	12.3 KG

