

KLBR40TRFXX22



Advantages:

- > Easy installation to save labor cost.
- > High lumen efficacy to save energy.
- > 50000h long life time, 5 years warranty term.
- > ETL, DLC Certified

Technical Characteristics:

Color Temperature	3000K, 4000K, 5000K
CRI	>80
Lumen	4,200 lumens
Input Power	40 W
Lumen Efficacy	105 Lm/W
Input Voltage	120~277 VAC, 50~60HZ
Waterproof Rating	IP20
L70 Life span	>50000Hrs
Dimmable	0~10V dimmable
Shipping Dimension	26.2"L x 25.4"W x 3.15"H
Weight	3.43kg (7.6 lbs)

Application:

Luminaires for Ambient Lighting of Interior Commercial Spaces

Technical Specifications

Listings:

DLC Listing

ETL Listing

Waterproof Rating - IP20

Others



Operating conditions:

Operating Temperature	-20°C TO 40°C
Operating Humidity	20%- 90% RH
Storage Temperature	-30°C TO 80°C
Storage Humidity	10%- 95%
Application	Indoor Light

Warranty time: 5 years

To prevent injury or damage to property, this product must be installed in accordance to National Electrical Code (NFPA70) in the US or Canadian Electrical Code (CSA 22.1) in Canada.

Risk of fire or electric shock. The electrical rating of these products are 100-277 Vac, the installer must determine whether they have 100-277 V at the luminaire before installation.

Risk of fire or electric shock. Installation requires knowledge of luminaires electrical systems. If not qualified, do not attempt installation. Contact a qualified electrician.

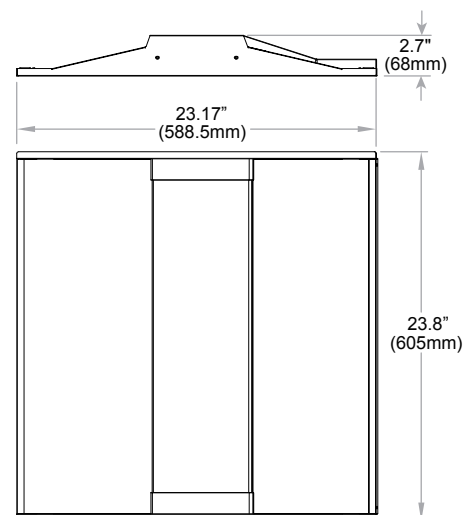
To prevent wiring damage or abrasion, do not expose wiring to edges of sheet metal or other sharp objects.

Disconnect power before installing the product or servicing it.

Wait until fixture has cooled down before installing or servicing the fixture.

Min. 90°C Supply Conductors

Warranty Period assumes that the Products are operated for less than 8 hours per day.



KLBR40TRFX22

Order Information

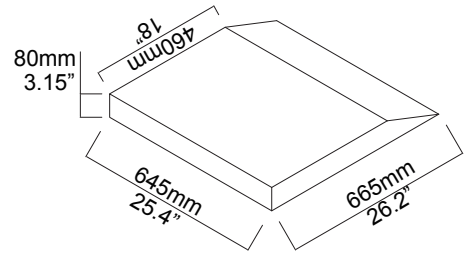
KL	BR	WATT	TRF	CCT	Size
KL	BR	40	TRF	30K: 4000K 40K: 4500K 50K: 5000K	2X2

KL	BR	40	TRF		
----	----	----	-----	--	--

Packaging Information

Shipping Carton

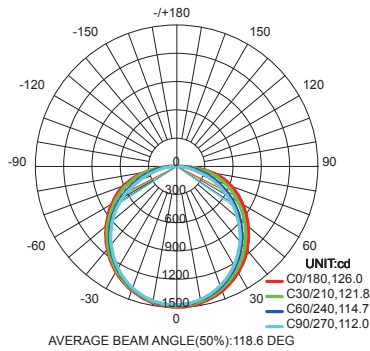
1pcs/CTN G.W.: 4.26 kg
Dimension: 26.2"L x 25.4"W x 3.15"H (665 x 645 x 80mm)



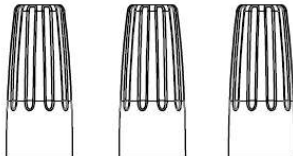
Lux Chart/Photometrics

Flux out: 3128 lm

Height	Evavg	Angle: 111.00deg	Diameter
1m	453.0lx		291.00cm
2m	113.2lx		582.00cm
3m	50.33lx		873.00cm
4m	28.31lx		1164.00cm
5m	18.12lx		1455.00cm
6m	12.58lx		1746.00cm
7m	9.245lx		2037.00cm
8m	7.078lx		2328.00cm
9m	5.592lx		2618.99cm
10m	4.530lx		2909.99cm



Accessories (optional)



Part 1

Accessories package list

Part	Description	Quantity
1	Wire Connector	*1or3

Note: 3 wire nuts for dimmable version, 1 wire nut for non-dimmable version