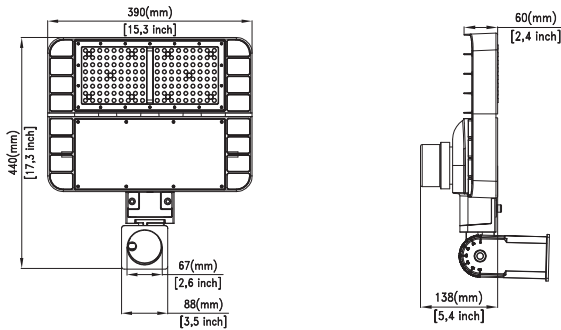


KLBR150SB-X-XX



Technical Characteristics:

Driver Info		LED Info	
Type:	Constant Current	Watts:	150W
120V:	Yes	Color Temp:	40K, 50K
277V:	Yes	Color Accuracy:	70CRI
480V:	Available	L70 Lifespan:	50000
Input Watts:	150W	Lumens:	18750
Efficiency:	96%	Efficacy:	125LPW

Application: parking lots, roadways, pathways and general area lightings.

5-years warranty

Color: Black, Bronz, White or Gray Weight: 13.8lbs(6.25Kg)

Technical Specifications

Listings

ETL Listed

Suitable for wet locations.

DLC Listed

This product is on the Design Lights Consortium(DLC) Qualified Products List and is eligible for rebates from DLC Member Utilities.

IESNA LM-79 & IESNA LM-80 Testing:

This product has been tested by an independent laboratory in accordance with IESNA LM-79 and 80, and have received the Department of Energy" Lighting Facts" label.



Electrical

Driver:

Constant Current, Class 2, 110-277Vac,50/60HZ, 0.95Amp@100Vac, Inventronics Brand.

THD:

<20%

Power Factor:

>0.95

Dimming Driver:

Driver includes dimming control wiring for 0-10V dimming systems, Requires separate 0-10V DC dimming circuit, Dims as low as 10%.

Photocell:

This product is equipped with a socket for photocell

Surge Protection:

6kV (default) 10kV/5kA (optional)

LED Characteristics

Lifespan:

50,000-hour LED lifespan based on IES LM-80 results and TM-21 calculations.

LEDs:

Long-life, high-efficiency SMD3030, patent free.

Color Stability:

Comply with DLC's requirements.

Color Uniformity

CCT(Correlated Color Temperature) follows the guidelines of the American National Standard for Specifications for the Chromaticity of Solid State Lighting(SSL) Products, ANSI C78.377-2015.

Construction

IES Classification:

Type III Distribution (default)
Optional of Type II, IV and Type V

Cold Weather Starting:

Minimum starting temperature is -40°F(-40°C)

Ambient Temperature

Suitable for use in 104°F(40°C) ambient Temperatures.

Housing:

Precision die-cast aluminum housing.

Lens:

Clear acrylic lens with integrated optics

Mounting:

Mounts to square poles, round poles or wall etc. by different type of adaptors.

IP Rating:

Wet Location.

Gaskets:

High Temperature silicone gaskets.

Finish:

Formulated for high-durability and long lasting color.

Green Technology:

Mercury and UV free RoHS compliant components
Polyester powder coat finish formulated without the use of VOC or toxic heavy metals.

Other

5 Yr Limited Warranty:

Fixture operation and paint finish are covered for a period of 5 years.

Accessories options:

Photocell
Seven pin photo control
Shorting cap
Mounting adaptors type A/G/C/H

KLBR150SB-X-XX

Order Information

KL	BR	Wattage	SB	Color	CCT	Voltage	P/N/PC
KL	BR	100W 150W 200W 240W 300W	SB	White (W) Bronze Black (B) Gray (G)	40K: 4000K 50K: 5000K	High voltage (HV) Regular	P: W/ Photocell Socket N: W/O Photocell Socket PC: Photo control
KL	BR						

Accessories

Photocell Options:



Photocell

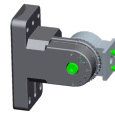


Shorting Cap

Mounting Adaptor Options:



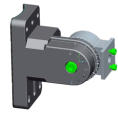
Type A: Slip Fitter



Type G: Square Pole Mount



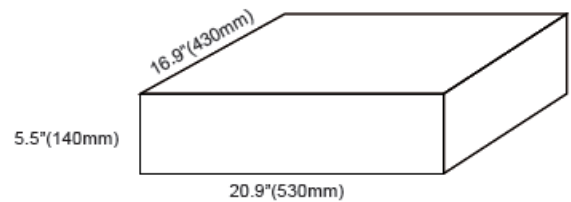
Type C: Trunnion



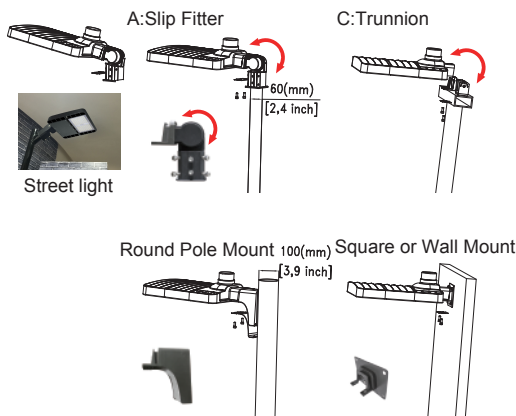
Type H: Round Pole Mount

Packaging

	Size	Qty/ Carton	G.W/ Carton
outer box	20.9"L x 16.9"W x 5.5"H (530mm x 430mm x 140mm)	1	6.25 kgs



Installation Options



Installation Steps

1. Install mount bracket on to pole
2. Set fixture on to mount bracket
3. Wire and tighten screws

