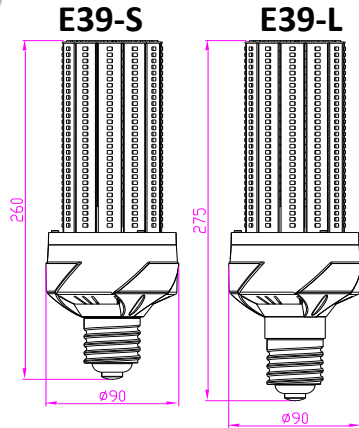


KL60CL-B2E XX



- **E39-S: Short Plastic Housing**
- **E39-L: Longer Plastic Housing**

Advantages:

- UL, DLC certificate
- E39 lamp base
- 360 Degree lighting, high CRI
- Long, or short plastic housing
- Large heat sink, good heat dissipation
- Direct replacement for Metal Halide, Easy to install

Technical Characteristics

Color Temp:	4K, 4K5, 5K, 5K7	LED Quantity	400 pcs.
CRI	>80	Housing	PC+AL
Lumen	6400-6600 LM		
Input Power	60W		
Viewing Angle	360°		
Input Voltage	100-277Vac 50/60HZ		
PFC	>0.9		
Light efficacy	106-110 LM/W		
Waterproof Rating	IP40		
Equivalent	120W CFL, 175W MHL/HPS/HID		

Application:

Replacement Lamps for Outdoor Pole/Arm-mounted Decorative Luminaires (Type B)

Housing Color: White

Technical Specifications

Listings

UL Listing:

UL code: E472587

DLC Listed

IP40: Water proof rating



Others

Warranty time: 5 years

To prevent injury or damage to property, this product must be installed in accordance to National Electrical Code (NFPA70) in the US or Canadian Electrical Code (CSA 22.1) in Canada.

Risk of fire or electric shock. The electrical rating of these products are 100-277 Vac, the installer must determine whether they have 100-277 V at the luminaire before installation.

Risk of fire or electric shock. UFO High Bay installation requires knowledge of luminaires electrical systems. If not qualified, do not attempt installation. Contact a qualified electrician.

To prevent wiring damage or abrasion, do not expose wiring to edges of sheet metal or other sharp objects.

Disconnect power before installing the product or servicing it.

Wait until fixture has cooled down before installing or servicing the fixture.

Min. 90°C Supply Conductors

Warranty Period assumes that the Products are operated for less than 8 hours per day.

Operating conditions

Operating temperatures:

-20°C TO 45°C

Operating Humidity:

20%-90% RH

Storage Temperature

-30°C TO 80°C

Storage Humidity:

10%- 75% RH

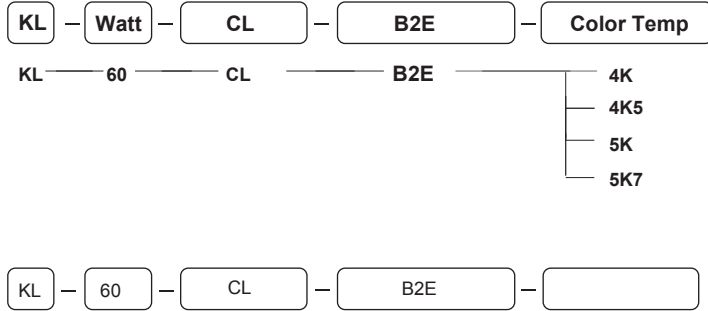
Application:

Outdoor/Indoor

KL60CL-B2E XX



Order Information



Package

	Size (E39-S)	Size (E39-L)	Qty/ Carton	Net Weight/ Carton	Gross Weight/ Carton
Inner box	290x120x120 MM	310x120x120 MM	1 PC	0.44 KG	0.59 KG
Outer box	495x375x305 MM	495x375x325 MM	12 PCS	5.3 KG	8.2 KG

