

KL22SDLXX15I



Advantages:

- > Unique design
- > Rebate is available.
- > 25000h long life time, 5 years warranty term.

Technical Characteristics:

Color Temperatur	3000K, 4000K, 5000K
CRI	>80
Lumen	1500 LM
Input Power	22 W
Lumen Efficacy	79 Lm/W
Input Voltage	120V AC 60Hz
Waterproof Rating	IP20
Dimmable	Yes
Lens	Frosted PC
Life Span	25000Hrs
PFC	0.95
Dimension	15.3"DIA X 3.5" H (388.6mmx88.9mm)

Application:

Office, hotel, residential or commercial, decorative indoor luminaries

Technical Specifications

Listings:

ETL Listing



Energy Star Listing

Waterproof Rating - IP20

Others

Warranty time: 5 years

To prevent injury or damage to property, this product must be installed in accordance to National Electrical Code (NFPA70) in the US or Canadian Electrical Code (CSA 22.1) in Canada.

Risk of fire or electric shock. The electrical rating of these products are 100-277 Vac, the installer must determine whether they have 100-277 V at the luminaire before installation.

Risk of fire or electric shock. Installation requires knowledge of luminaires electrical systems. If not qualified, do not attempt installation. Contact a qualified electrician.

To prevent wiring damage or abrasion, do not expose wiring to edges of sheet metal or other sharp objects.

Disconnect power before installing the product or servicing it.

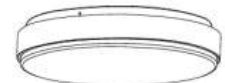
Wait until fixture has cooled down before installing or servicing the fixture.

Min. 90°C Supply Conductors

Warranty Period assumes that the Products are operated for less than 8 hours per day.

Operating conditions:

Operating Temperature	-25°C TO 55°C
Operating Humidity	-20% - 90% RH
Storage Temperature	-30°C TO 80°C
Application	Indoor
Storage Humidity	10% - 95% RH



Hardware Included



Screw (2 pcs)



Wire Nut (3 pcs)

KL22SDLXX15I

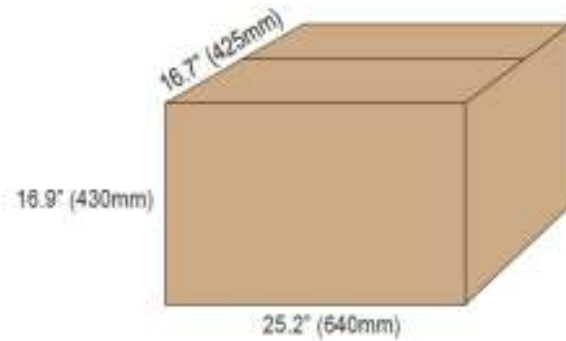
Order Information

KL	Watt	SDL	CCT	SIZE
KL	22	SDL	30K: 3000K 40K: 4000K 50K: 5000K	15"

KL	22	SDL		
----	----	-----	--	--

PACKAGE

	Size	Qty/ Carton	G.W/ Carton
outer box	25.2"L x 16.7"W x 16.9"H (640mm x 425mm x 430mm)	5	9.5 kgs



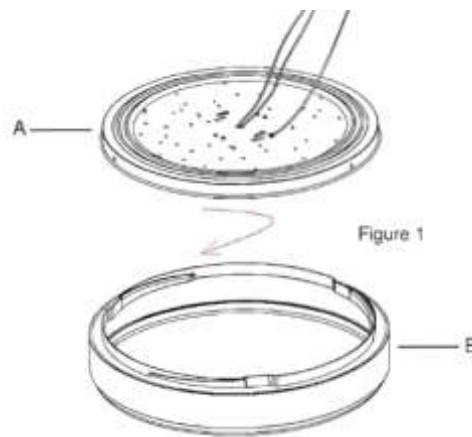
KL22SDLXX15I



Installation Sheet

CAUTION: Before beginning installation turn off the circuit breaker and light switch.

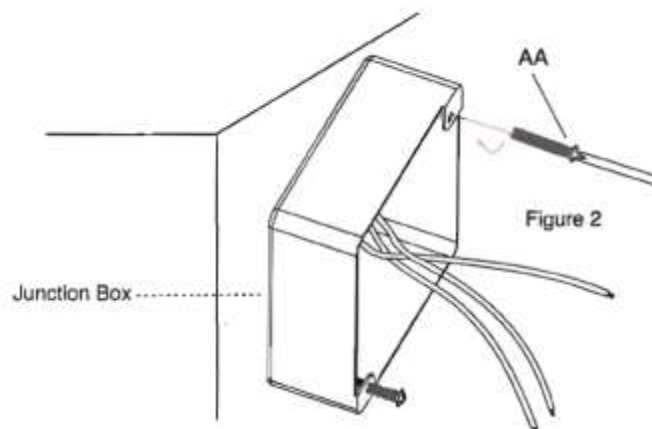
- Junction Box is required for the assembly.
 - For best Performance, mount the fixture 8-12 feet above the ground.
1. Twist to detach the lamp shade (part B) from the mounting plate (part A) and set aside. (figure1)



CONNECTING THE WIRES:

1. Install the two screws (AA) into the junction box (Figure B).

NOTE: Leave 1/4" of screw exposed to accommodate mounting plate



KL22SDLXX15I

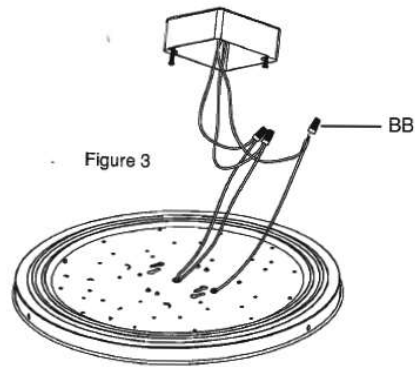


INSTALLATION (Continued)

2. Connect the house ground wire to the yellow/ green ground wire on the mounting plate (Part A) using the wire nut (BB).
3. Connect the house black wire to the mounting plate (Part A) black wire using the wire nut (BB).
4. Connect the house white wire to the mounting plate (Part A) white wire using the wire nut (BB).

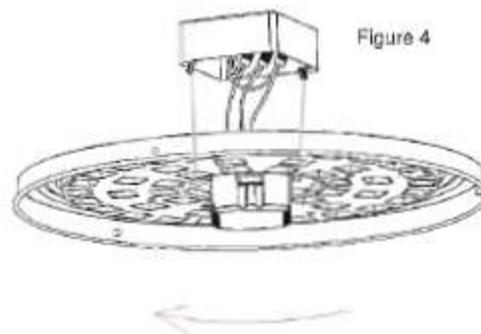
NOTE: For proper connection, place wire nuts(BB) overwires and twist clockwise until tight (Figure 3).

OPTIONAL: Wrap connected wire nuts with electrical tape.



ATTACHING THE MOUNTING PLATE

1. Attach the mounting plate to the junction box the aligning the holes on the mounting plate (Part A) with the screws on the junction box.
2. Turn mounting plate clockwise to lock in place and tighten screws to ensure the fixture is secure and will not move .(Figure 4)



ATTACHING THE LAMP SHADE

1. Reattach lamp shade to mounting plate and twist to lock in place.(Figure 5)

